

# Faber Dimplex cassettes 510 I, 650 I, 700 I



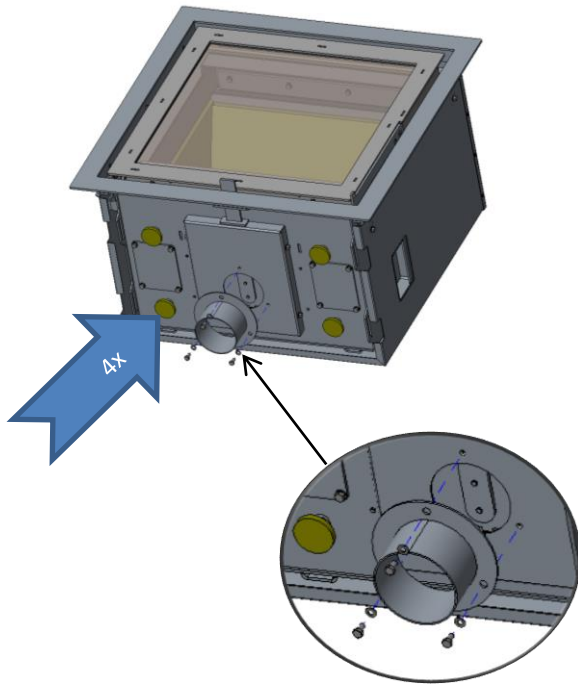
 **faber**



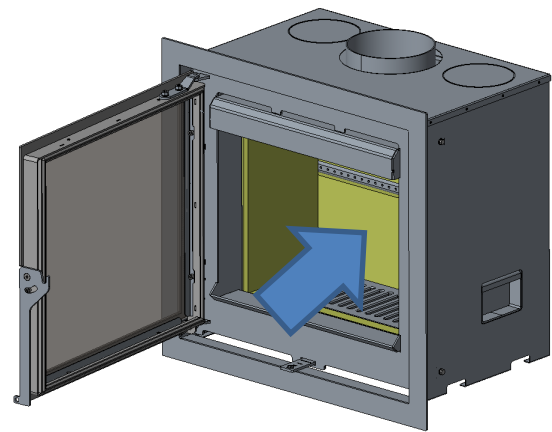
1.1



1.2



1.3



1.4

---

## 1 Dear user

---

Congratulations on purchasing your Faber product!  
A quality product which will provide you with warmth and atmosphere for many years when used correctly. Please read the user manual before using the fire. Should, despite the careful final checks, a malfunction occur, please contact your dealer or Dimpco (Glen Dimplex Ireland sales company) for assistance.

- **Please note:**  
The data of your fire is available in the user manual.

Appliance data can be found on the type plate that can be found behind the lower vermiculite back wall inside the cassette.

Dimpco Ltd  
Old Airport Road  
Cloghran  
Co Dublin  
Ireland  
Tel: +353 (0) 1842 8222  
Fax: +353 (0) 1842 4943  
Email: [sales@dimpco.ie](mailto:sales@dimpco.ie)  
Web: [www.dimpco.ie](http://www.dimpco.ie)

### 1.1 Introduction

---

Only have the appliance installed by a qualified installer according to local regulations.  
Read this installation manual properly.

### 1.2 Please check

---

Check the fire for transport damage and report any damage immediately to your dealer.

### 1.3 CE Declaration

---

Glen Dimplex Benelux certifies that this Faber fire complies with the essential requirements for solid fuel build in fires.

Model: Dimplex 510 I, 650 I, 700 I

Guidelines EG: 89/106/EEC

Harmonized Standards: NEN-EN-13240, NEN/EN-13240/A2

This Declaration is invalid, if without the written permission of Glen Dimplex Benelux:

- Changes are made to the appliance.
- The fire is connected to exhaust materials other than specified.

## 2 Safety instructions.

---

- Please read these instructions carefully before installing or using this appliance. Failure to do so may result in damage to persons and property.
- This appliance is suitable for domestic heating use only in accordance with these operating instructions. Do not make any unauthorised changes to the appliance.
- This appliance must be installed by a suitably qualified competent person in accordance with BS8308, Code of practice for installing domestic heating and cooking appliances burning solid mineral fuel. Installation must comply with all Building Regulations, including those referring to Local Authority Bye-Laws, National and European Standards and Codes of Practice.
- Chimney connections and fire safety must be in compliance with local regulations and standards following guidelines EN 13384, EN 1856-2 and EN 15287.
- Do not install this appliance on a shared flue.
- Do not fit an extractor fan in the same room as this appliance.
- Ensure there is adequate combustion air ventilation in the room in accordance with building standards. Do not obstruct any of the air inlets or outlets on the appliance.
- Due to the natural air convection of the appliance, dust particles from carpets and disrupted building materials or uncured paint volatiles may settle on cold surfaces after installation. Once installed allow some time for dust to settle and vacuum clean before lighting the appliance.
- This appliance operates at very high temperatures and retains its heat for a period after use. Do not touch any surfaces while in use. All persons including children and the infirm should be warned of this and not allowed to touch any surfaces while in use. Please use a suitable fireguard manufactured to BS 8423:2002 suitable for use with solid fuel appliances, to prevent contact when in use.
- Do not place any combustible items within 1m of the appliance (e.g. photographs, paintings, TV's, etc.). Exposure of combustible items to hot surfaces or radiated heat will cause damage and poses a serious fire risk.



- The operator must use the tools provided. We recommend using protective gloves when handling or using the appliance. Any glove provided is considered a tool.
- This appliance is only suitable for burning wood logs. It is not suitable for burning other fuels including treated wood, woodchips, waste materials, carton or paper.
- Burn only properly seasoned wood with a low moisture content less than 20%. Burning wet unseasoned timber will only result in a build up of tar in the stove and the chimney and will cause staining of the glass.
- Do not burn petroleum coke fuels, household waste or plastic in this appliance.
- Never use flammable liquids to start up the fire. Only use special ignition firelighters or kindling wood. Avoid the use of aerosols in the vicinity of the stove when it is in operation.
- When lighting the fire for the first time, run for several hours on the highest setting, so that the paint can cure. During this period smoke and an unpleasant smell may be generated. Adequate ventilation must be provided by opening windows and doors, so that any fumes can disperse; we recommend vacating the room during this process.
- If with the first heating the maximum temperature is not reached, the above-mentioned effects may as well arise later on.
- The doors in front of the fire must be closed when the stove is running.
- Ensure that the ashtray should be fully inserted, and in particular never remove hot ash from the fireplace (fire risk). Do not allow a build up of ash to occur in the ash pan as this will cause the grate to burn out prematurely.
- Clean your chimney at least twice a year and check the baffle plate monthly to ensure there are no blockages.
- Regular maintenance should be carried out by a suitably qualified engineer.
- If work is being carried out on flammable or explosive materials in the vicinity of the stove, the stove must be put out of operation.
- If a chimney fire occurs, shut the air intake, extinguish the fire with sand and contact the fire department immediately.

### **3 Installation requirements**

---

#### **3.1 Fluepipe and terminal requirements**

---

- The chimney must be suited for the use of wood burning cassettes.
- Before installation check and clean the chimney system.
- The used chimney must be fully airtight.
- Make sure that the chimney is accessible for cleaning intervals.
- Make sure that in the horizontal chimney sections no soot particles can accumulate.
- The diameter of the chimney must be at least the same size as the flue spigot on top of the cassette.
- The minimum flue draught must be at least 12 Pa when having a warm chimney.
- When having a too strong chimney draught a damper must be used.
- Mount the chimney system in such a way that rainwater entry is prevented.
- The chimney system cannot rest on the cassette.

#### **3.2 Terminals**

---

Verify if the position of the terminal meets the local regulations regarding ventilation openings.

#### **3.3 General safety precautions**

---

The following fire safety requirements must be met on installations of the wood cassette:

- Installation and maintenance can only be done by qualified installers.
- Install the wood cassette and fluepipes in front of non-combustibles walls, minimum distance to non-combustibles is 50mm.
- Distance to combustible materials such as curtains, furniture, etc. 1000mm

### **4 Preparation and installation instructions**

---

#### **4.1 Mounting optional 3 sided trim**

---

If desired an optional 3 sided trim can be mounted, see par. 7.5 for more detailed information.

#### **4.2 Self-closing door**

---

The cassette has a self-closing door mechanism and if needed this mechanism can be removed easily. See par.7.6 for more details.

#### **4.3 Optional convection air openings**

---



The top of the convection chamber is provided with 2 round shaped convection air openings. If required these removable plates can be broken out so that hot convection air flows into the chimneybreast. Make sure sufficient heat protection is provided and that the hot convection air can flow out of the chimneybreast using grills etc.

#### 4.4 Levelling the cassette

As indicated in fig 1.3 the cassette can be levelled with 4x adjustable feet underneath the product. **Make sure that there is always a free airflow (for convection and combustion) underneath the cassette.**

#### 4.5 Mounting the optional outside air connection

The cassettes can be provided with an optional outside air connection. See fig. 1.3 for mounting details. For an optimal performance of the cassette and in case of using the outside air connection the following is important:

- The free area/airflow of the outside air connection may never be smaller than the actual size of the outside air connector itself.
- When creating an outside air inlet in the outside walls make sure that no under pressure occurs. This can cause back draught of hot flue gasses into the air intake.
- Avoid placing the outside air intake in under - or overpressure areas around the building. If possible make use of a T shaped ducting system that goes to 2 sides of the building.
- The outside air ducting may not be installed at a higher level than the cassette, this to prevent back flowing flue gases.
- The outside air ducts needs to be made out of non-combustible materials.
- Make sure that total length hand use of bends is as limited as possible, this to prevent too much flow resistance.

##### 4.5.1 Preparing the fire

The cassette must only be built in in a fully non-combustible setting.

The cassette must be installed in a construction with adequate load carrying capacity.

- Only use chimneys and stoves pipes that are in compliance with standard EN 1856-2 T600.
- Install fluepipes in such a way that a flammable and hazardous situation is avoided at all time.
- Take adequate measures to prevent high temperatures in the chimneybreast and surrounding constructions. This also applies to materials or objects behind walls etc.

- Remove all packed parts out of the combustion chamber.
- Check if any loose parts need to be removed from the ashtray.
- Check the physical state and correct position of the heat resistant lining inside the combustion chamber.

## 5 User manual

Always read the user manual carefully before starting to use the cassette. Various pictures and drawings can be found inside this booklet. Always keep this booklet with the cassette. The user can only execute the operations mentioned in the user manual. All other operations must be done by a qualified installer. If in doubt please contact your supplier.

**Important:** Wear and tear caused by overheating or unprofessional usage, mechanical, chemical or thermal damage will be excluded from warranty. Wear and tear parts (not under warranty) are glass, seals, paint, grills and vermiculite interior.

## 6 Commissioning.

### 6.1 Initial commissioning

Before the first operation of the cassette the following must be observed:

- The outside of the cassette needs to be clean. Any dirt or dust needs to be taken off with a soft cloth. Dirt and other contaminations can cause smell and scorching and can burn in on painted surfaces and glass.
- Remove fingerprints, etc. from the glass with glass cleaner.
- Please note that during the first 2 to 3 burning phases, there may be an odor due to the protective coating. It is advisable to ventilate the room well.
- The cassette will have an optimal combustion only after a couple of heating cycles. The glass may stain a bit more, this because of the curing paint.
- During the curing of the paint the cassette should not be touched, this to prevent damaging of the paint.
- Because of slight differences in thermal expansion, fine hairline cracks may appear on vermiculite lining and there may be changes in the color of the lining on the individual pieces due to the combustion but there is no reduction in quality. Thus, these production or material variations are not a cause for

complaint. Existing hairline cracks which become visible on heating of the stove are natural and unavoidable.

## **6.2 Discolouration of walls and ceilings**

No liability is accepted for any direct or indirect damage caused by the stove. This includes dirtying of the room caused by the decomposition of products from organic dust and whose pyrolysis products appear as a dark line on wallpaper, furniture, textiles and stove parts.

## **7 Ignition and heating.**

### **7.1 Ignition.**

Begin as follow:

- Open the door, make use of the supplied stove glove and handle.
- If needed remove the ashes from the ash bucket.
- If needed clean the glass
- Put 2 wood logs in the width of the fire.
- Open the air control fully by pulling it out, see fig. 1.1.  
Make a stack of kindling wood and place 1 or 2 firelighters underneath.
- Make sure that air is flowing through this wood stack and lighting is easy.
- Light the stack of kindling wood.
- Closed the door, if the fire does not light immediately then keep the door a bit open for some time.
- Let the fire burn for a while so that the chimney heats up properly.

### **7.2 Heating.**

- Let the fire burn on smaller logs for some time so that a smoldering fuel bed will be formed.
- Refill de cassette with bigger logs.
- After 15-20 minutes the output can be adjusted by the combustion control handle (fig 1.1. slide in and out) underneath the door.
- Refilling of the cassette can be done when the flames are gone. Open the combustion control so that the fire ignites rapidly.(fig1.1)

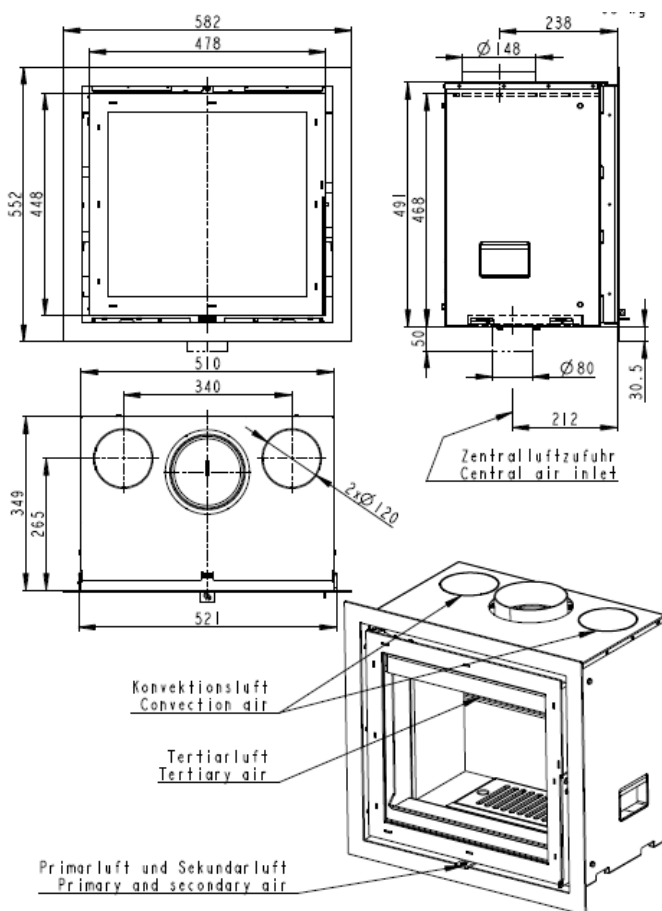
### **7.3 Maintenance**

Before commencing maintenance the cassette must be fully cold.

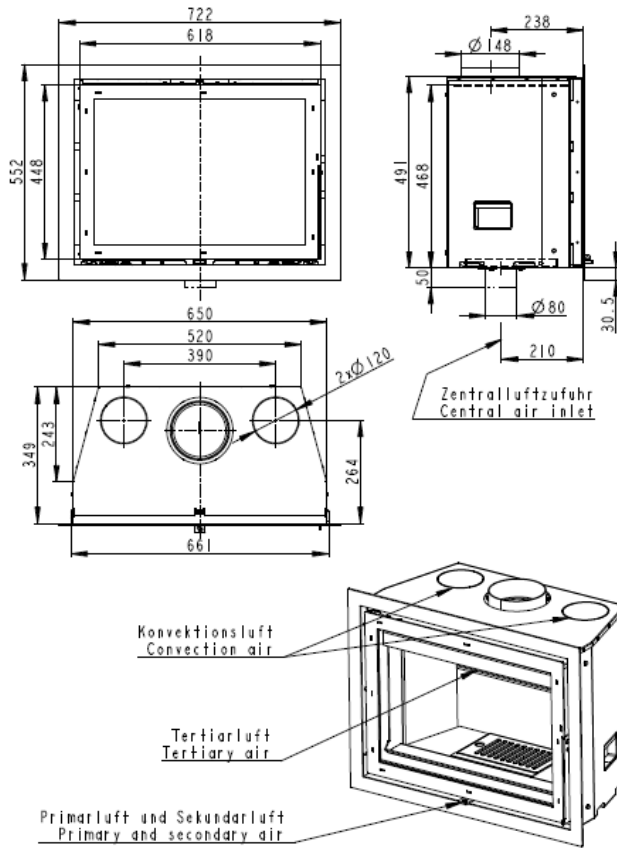
- The trim and door can be cleaned with a dry soft cloth.
- Remove any soot on the glass with a glass cleaner.
- Frequently empty the ash bucket, see fig. 1.2. First lift the grill and then take out the ash bucket. Beware of the fact that no glowing parts are left inside the bucket, this can cause fire. Empty the ash bucket regularly, a too high ash level can damage the grill.
- Little damages in the painted surface can be repaired using spray paint, please contact your supplier for more details.

## 7.4 Technical data

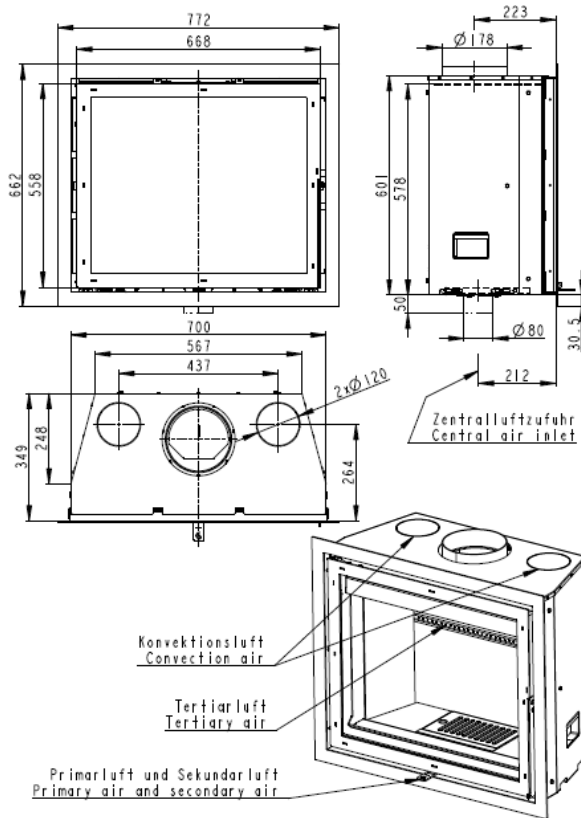
Type	Dimplex 510 I	Dimplex 650 I	Dimplex 700 I
Fuel type	wood	Wood	wood
Flue gas temperature (deg/C)	264	252	237
Flue gas volume(g/s)	2,7	4,2	6,9
Min. flue draft (Pa)	12	12	12
Nom. Output (kW)	4	5,5	6,5
Efficiency (%)	80	83	81
Wood length(cm)	25	25	25
Dust at 13% O2(mg/Nm3)	30	30	30
Consumption (kg/h)	1,15	1,6	1,95
Flue size (mm)	150	150	180
Weight (kg)	65	74	87



Dimplex 510 I



Dimplex 650 I

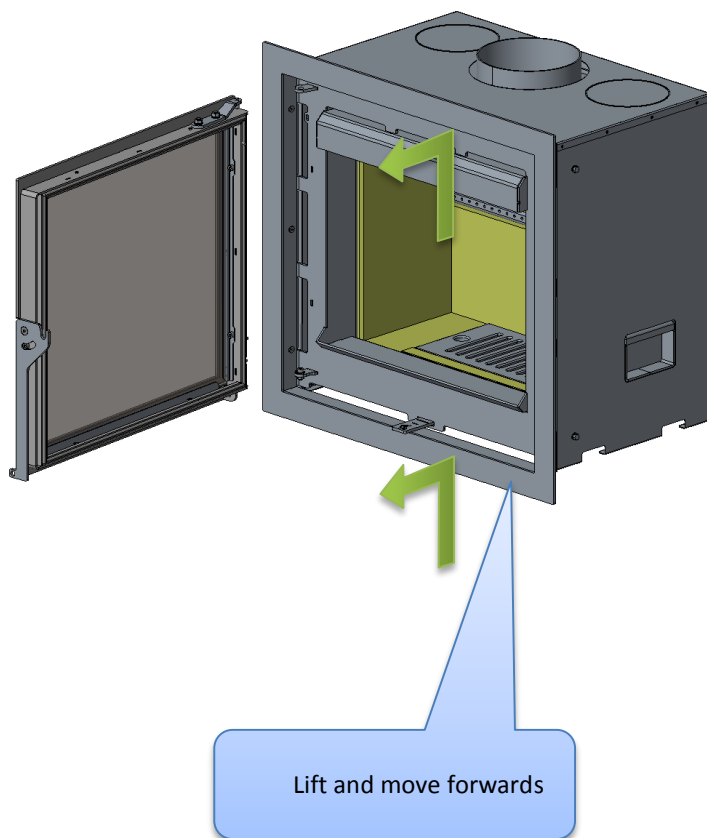
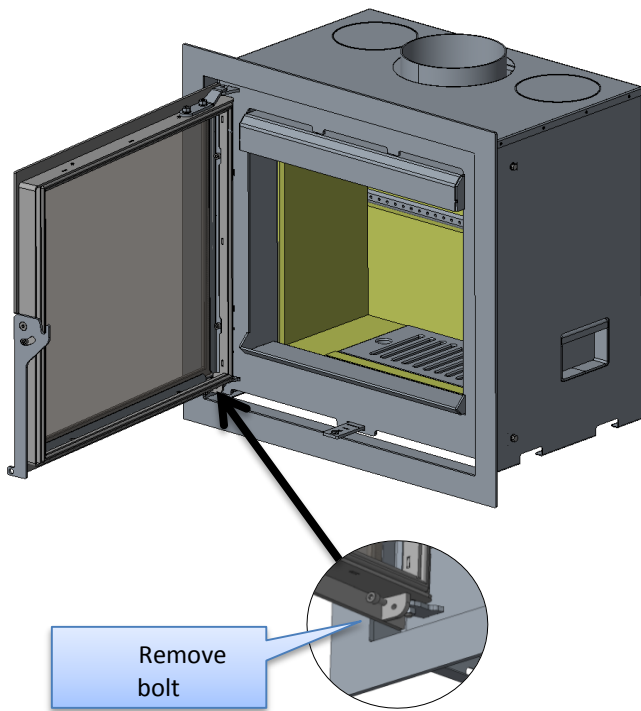


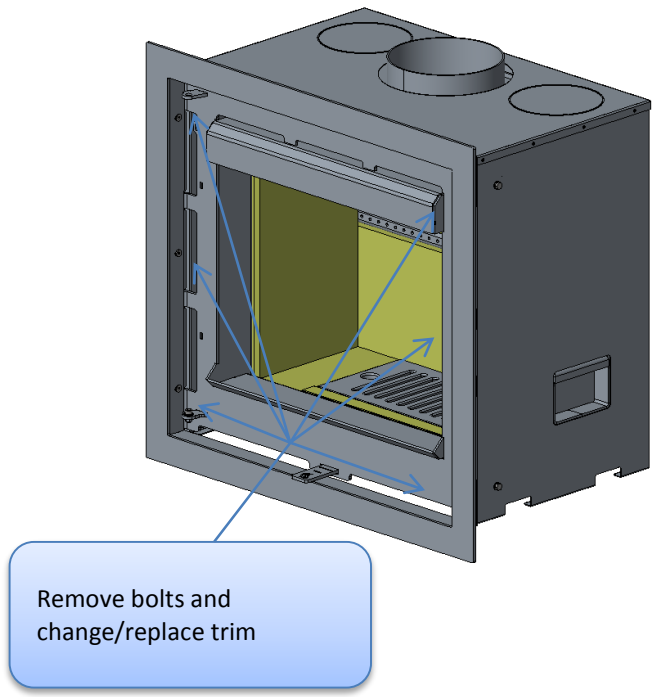
Dimplex 700 I



## 7.5 Changing the trim

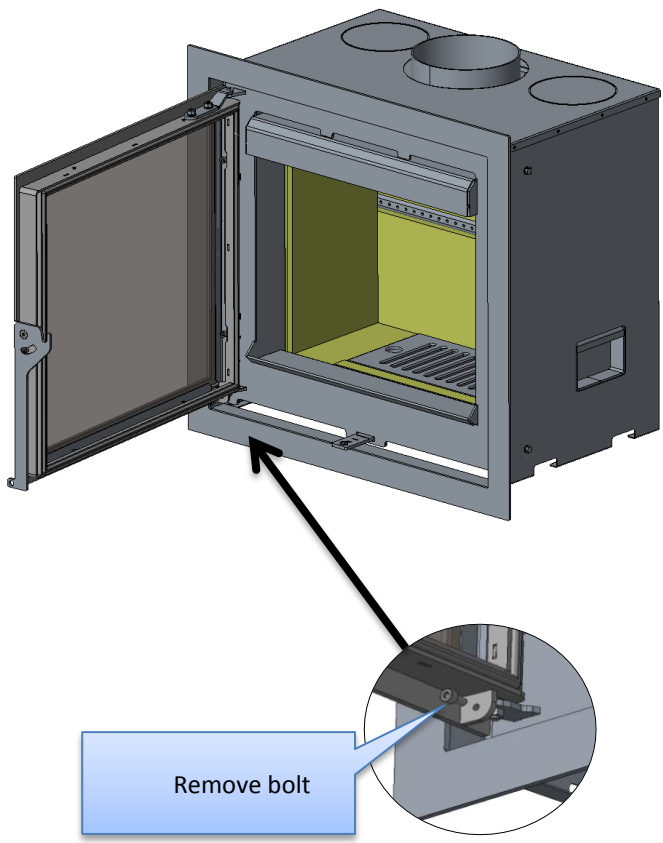
---

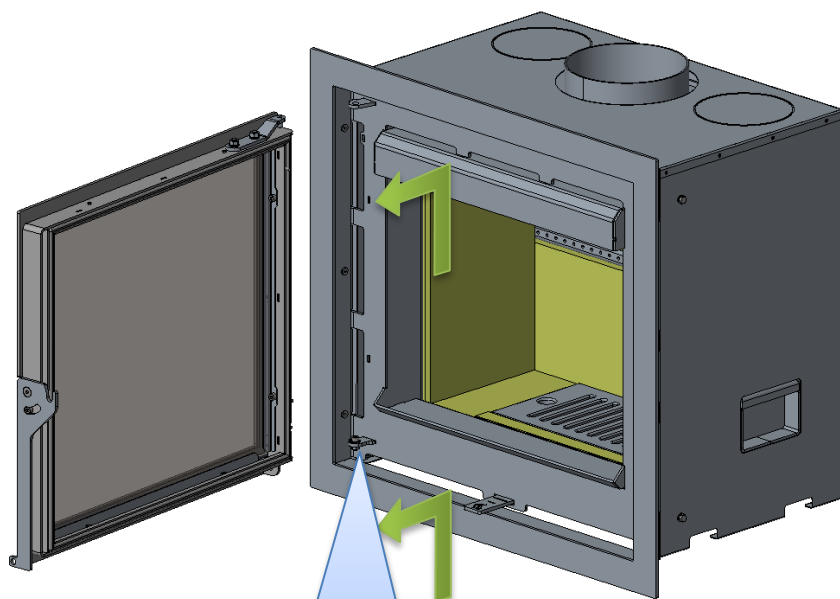




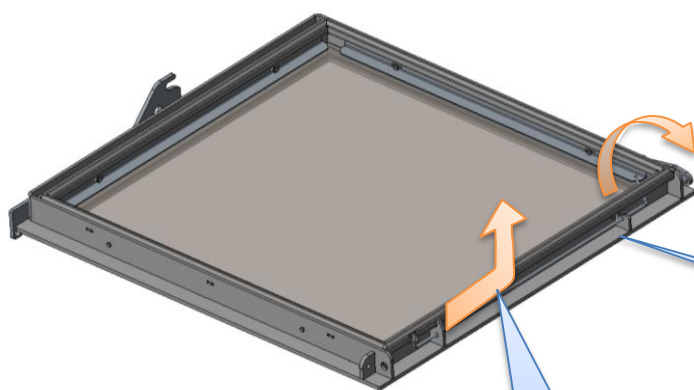
## 7.6 Removal of self-closing mechanism

---





Lift up and move forwards



click

...and remove spring



www.faber.nl - info@faber.nl

Saturnus 8 NL - 8448 CC Heerenveen

Postbus 219 NL - 8440 AE Heerenveen

Dealer info: